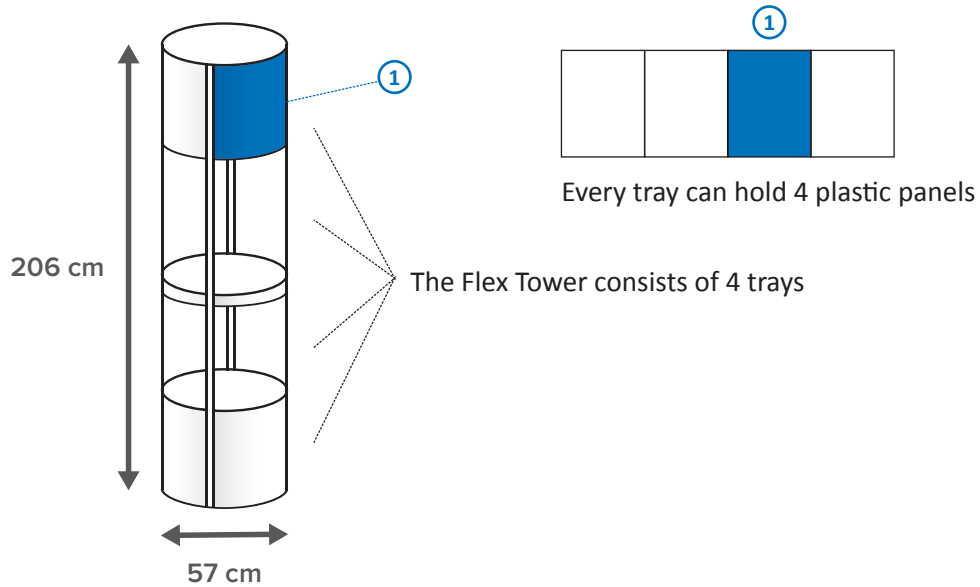


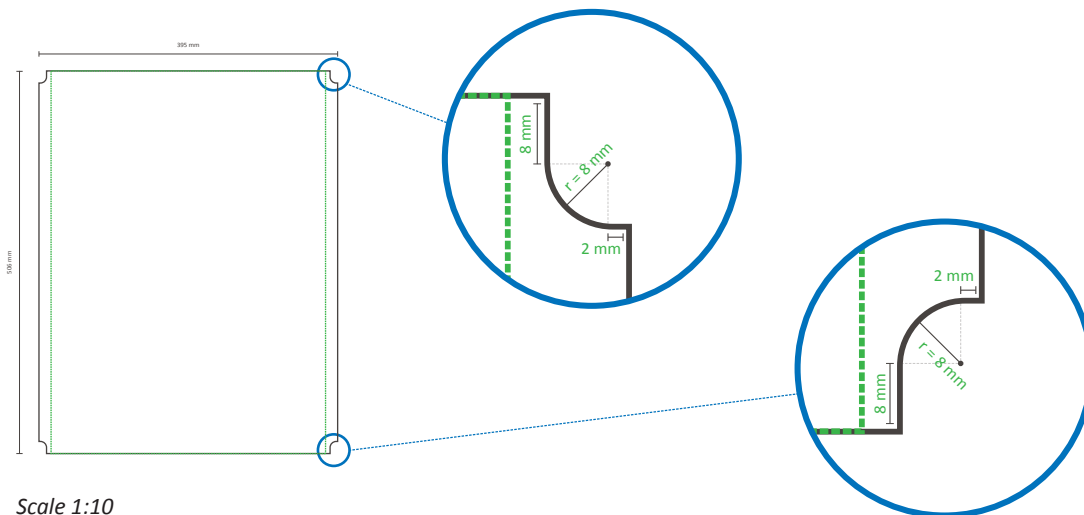
Flex Tower

Graphical specifications



Template for 1 panel ①

Actual size of graphic: 395 * 506 mm (W/H)



The **black line** is the outline of the document.

Important texts and pictures have to be placed within the **green dotted line** due to the finishing.



Flex Tower

Actual size of graphic: 395 * 506 mm (W/H)

395 mm

506 mm

16 mm

16 mm

