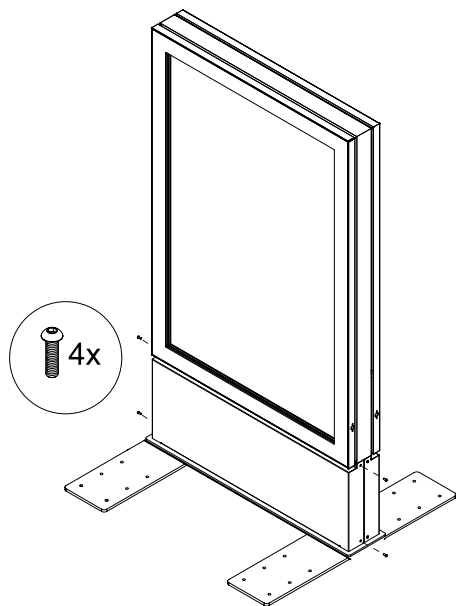
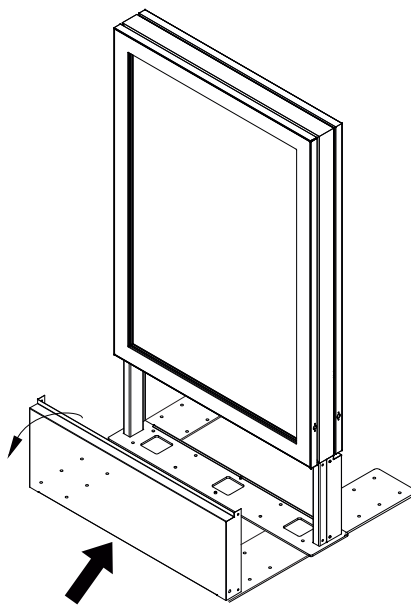


SCEOS1200x1800DLED INSTALATION SCHEME

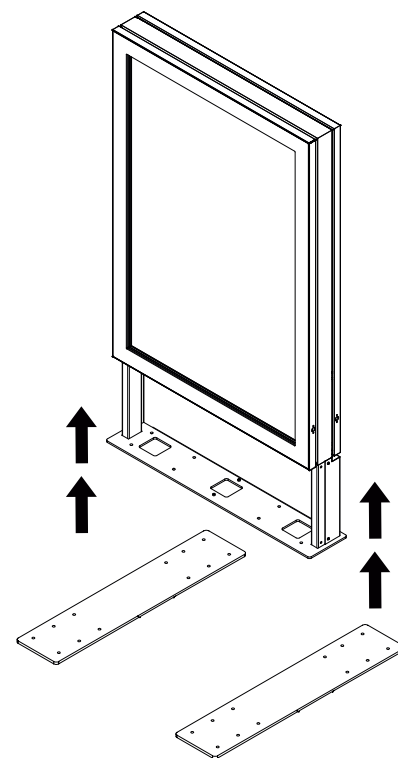
1 release front and back cover screws



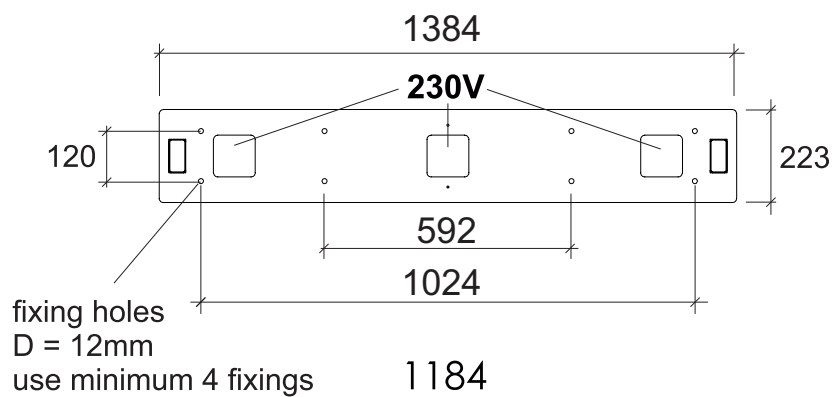
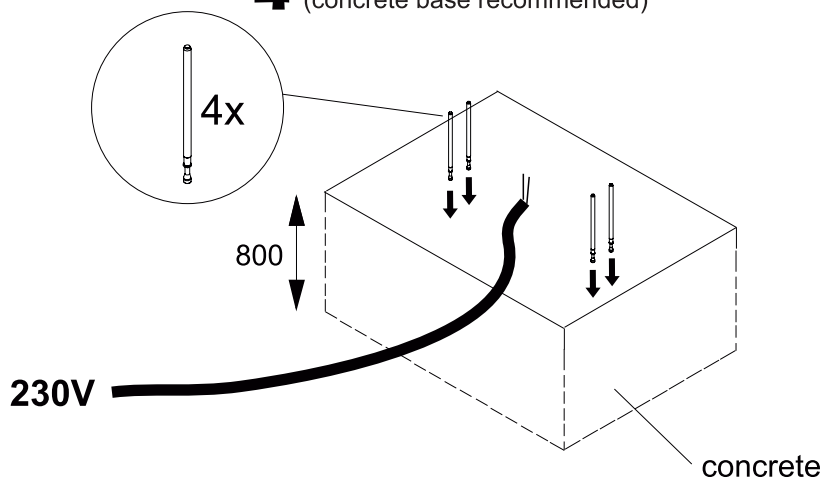
2 remove covers



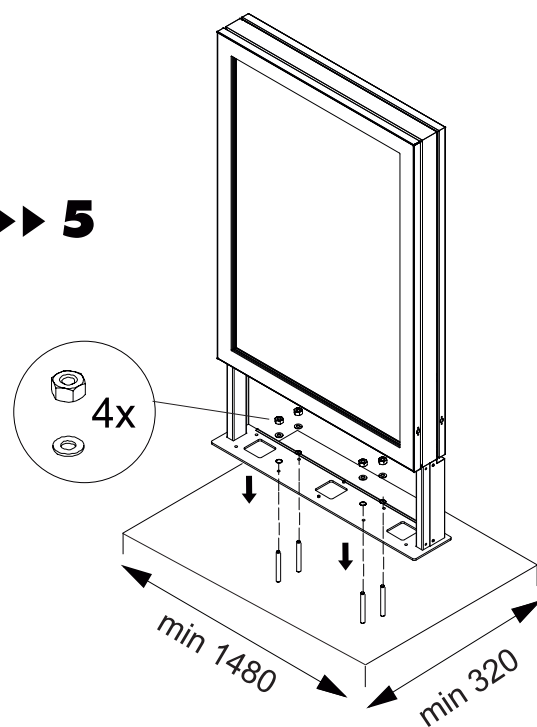
3 remove totem from pallet



4 prepare a solid flat ground base
(concrete base recommended)



▶▶▶ **5**



SCEOS1200x1800DLED