



## A-Board 32mm

PAVEMENT SIGNS > A BOARDS



### Classic A-Board 32 mm

The industry standard A-Board with mitred or round corner 32mm snap frames. Good stability with aluminium legs, metal hinges and stays, shock resistant anti corrosive back walls and UV-stable anti glare front sheets.

### Kundenstopper Standard 32 mm

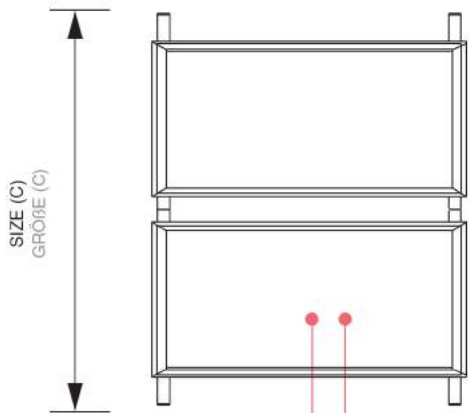
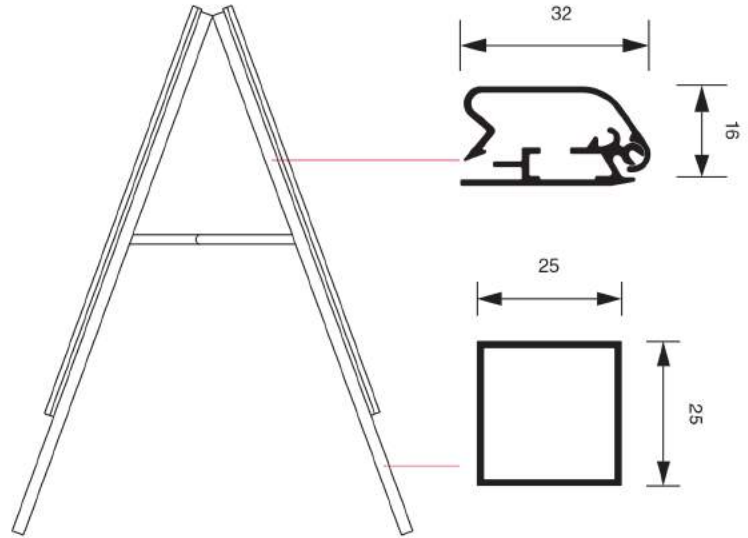
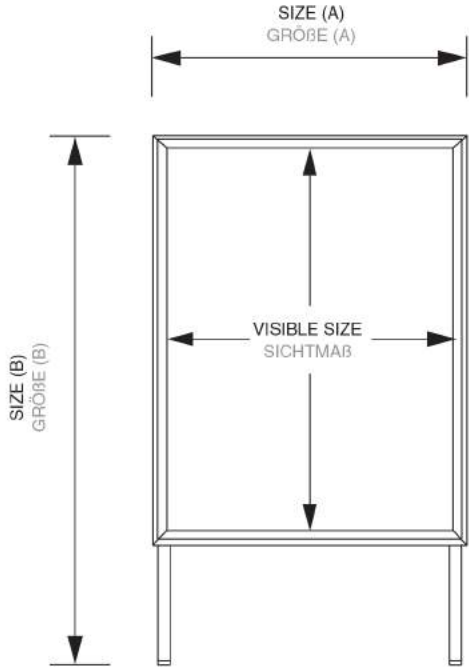
Doppelseitiger Kundenstopper. Ecken Rondo oder auf Gehrung. Sehr stabil mit pressblanken Standprofilen und zwei aufmontierten 32 mm Klapprahmen mit extrem schlagfester, rostfreier Metallrückwand.



# PRODUCT SHEET

## A-Board 32mm / mitred corner

PAVEMENT SIGNS > A BOARDS



ANTI GLARE FRONT 0,5mm  
ANTIREFLEX-SCHUTZSCHEIBE 0,5mm

BACKWALL 3 mm AKYPLAC  
RÜCKWAND 3 mm AKYPLAC

### ACCESSORIES ZUBEHÖR





# PRODUCT SHEET

## A-Board 32mm / mitred corner

PAVEMENT SIGNS > A BOARDS

ARTICLE CODE	EAN / GTIN	POSTER SIZE	VISIBLE SIZE	SIZE (A x B x C)	NET WEIGHT
ARTIKELNUMMER	EAN / GTIN	PLAKATFORMAT	SICHTMAß	GRÖßE (A x B x C)	NETTO GEWICHT
ZPA2G32ME	8595578304725	420 x 594 mm (A2)	402 x 576 mm	465 x 999 x 683 mm	5,97 kg
ZPA1G32ME	8595578304732	594 x 841 mm (A1)	576 x 823 mm	639 x 1094 x 744 mm	9,20 kg
ZPA0G32ME	8595578304749	841 x 1189 mm (A0)	823 x 1171 mm	886 x 1380 x 925 mm	15,35 kg
ZP50x70G32ME	8595578304756	500 x 700 mm	482 x 682 mm	545 x 999 x 683 mm	7,22 kg
ZP70x100G32ME	8595578304763	700 x 1000 mm	682 x 982 mm	745 x 1380 x 683 mm	11,93 kg
ZP100x140G32ME	8595578304770	1000 x 1400 mm	982 x 1382 mm	1045 x 1542 x 1028 mm	20,21 kg
ZP508x762G32ME	8595578304787	20" x 30"	490 x 744 mm	553 x 999 x 683 mm	7,63 kg

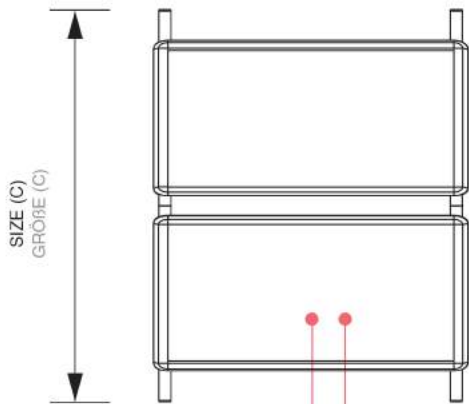
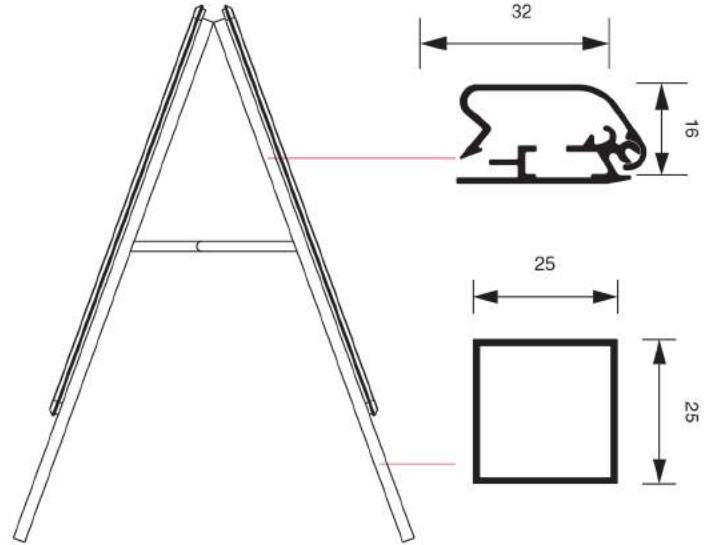
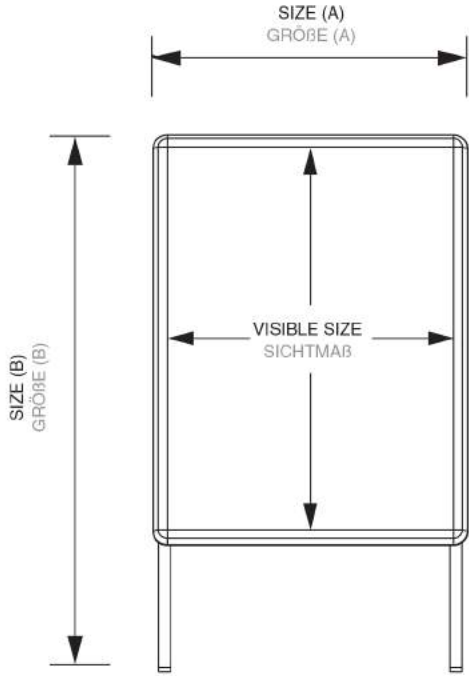
ARTICLE CODE	PACKING SIZE	PACKING WEIGHT	PCS / PALLET	WEIGHT OF PALLET	VOLUMETRIC WEIGHT	BELT SIZE	SHIPPING
ARTIKELNUMMER	PACKUNGS-GRÖßE	PACKUNGS-GEWICHT	STCK / PALETTE	PALETTE-GEWICHT	VOLUMEN-GEWICHT	GÜRTEL	VERSANDART
ZPA2G32ME	521 x 1076 x 124 mm	9,04 kg	20	201 kg	13,90 kg	2366 mm	UPS
ZPA1G32ME	695 x 1196 x 124 mm	12,34 kg	20	267 kg	20,61 kg	2834 mm	UPS
ZPA0G32ME	948 x 1495 x 124 mm	19,26 kg	6	136 kg	35,15 kg	3639 mm	TOF
ZP50x70G32ME	601 x 1076 x 124 mm	10,68 kg	20	234 kg	16,04 kg	2526 mm	UPS
ZP70x100G32ME	807 x 1495 x 124 mm	16,42 kg	10	185 kg	29,92 kg	3357 mm	TOF
ZP100x140G32ME	1107 x 1665 x 124 mm	25,05 kg	10	271 kg	45,71 kg	4127 mm	TOF
ZP508x762G32ME	695 x 1196 x 124 mm	11,01 kg	20	241 kg	20,61 kg	2834 mm	UPS



# PRODUCT SHEET

## Classic A-Board 32mm / rondo corner

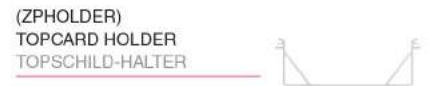
PAVEMENT SIGNS > A BOARDS



ANTI GLARE FRONT 0,5mm  
ANTIREFLEX-SCHUTZSCHEIBE 0,5mm

BACKWALL 3 mm AKYPLAC  
RÜCKWAND 3 mm AKYPLAC

### ACCESSORIES ZUBEHÖR





# PRODUCT SHEET

## Classic A-Board 32mm / rondo corner

PAVEMENT SIGNS > A BOARDS

ARTICLE CODE	EAN / GTIN	POSTER SIZE	VISIBLE SIZE	SIZE (A x B x C)	NET WEIGHT
ARTIKELNUMMER	EAN / GTIN	PLAKATFORMAT	SICHTMAß	GRÖßE (A x B x C)	NETTO GEWICHT
ZPA2R32ME	8595578304848	420 x 594 mm (A2)	402 x 576 mm	465 x 1025 x 683 mm	5,83 kg
ZPA1R32ME	8595578304855	594 x 841 mm (A1)	576 x 823 mm	639 x 1120 x 744 mm	9,06 kg
ZPA0R32ME	8595578304862	841 x 1189 mm (A0)	823 x 1171 mm	886 x 1406 x 925 mm	15,22 kg
ZP50x70R32ME	8595578304879	500 x 700 mm	482 x 682 mm	545 x 1120 x 683 mm	7,06 kg
ZP70x100R32ME	8595578304886	700 x 1000 mm	682 x 982 mm	745 x 1406 x 683 mm	11,79 kg
ZP100x140R32ME	8595578304893	1000 x 1400 mm	982 x 1382 mm	1045 x 1568 x 1028 mm	20,07 kg
ZP508x762R32ME	8595578304909	20" x 30"	490 x 744 mm	553 x 1025 x 683 mm	7,38 kg

ARTICLE CODE	PACKING SIZE	PACKING WEIGHT	PCS / PALLET	WEIGHT OF PALLET	VOLUMETRIC WEIGHT	BELT SIZE	SHIPPING
ARTIKELNUMMER	PACKUNGS-GRÖßE	PACKUNGS-GEWICHT	STCK / PALETTE	PALETTE-GEWICHT	VOLUMEN-GEWICHT	GÜRTEL	VERSANDART
ZPA2R32ME	521 x 1076 x 124 mm	8,79 kg	20	196 kg	13,90 kg	2366 mm	UPS
ZPA1R32ME	695 x 1196 x 124 mm	12,08 kg	20	262 kg	20,61 kg	2834 mm	UPS
ZPA0R32ME	948 x 1495 x 124 mm	19,02 kg	6	135 kg	35,15 kg	3639 mm	TOF
ZP50x70R32ME	601 x 1076 x 124 mm	10,43 kg	20	229 kg	16,048 kg	2526 mm	UPS
ZP70x100R32ME	807 x 1495 x 124 mm	16,16 kg	10	182 kg	29,92 kg	3357 mm	TOF
ZP100x140R32ME	1107 x 1665 x 124 mm	24,95 kg	6	170 kg	45,71 kg	4127 mm	TOF
ZP508x762R32ME	695 x 1196 x 124 mm	10,86 kg	20	238 kg	20,61 kg	2834 mm	UPS