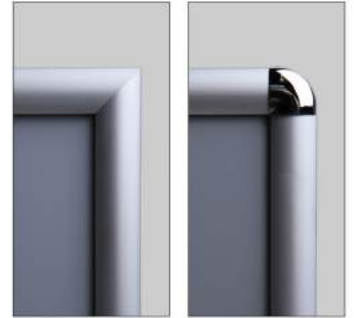




## 25 mm profile Indoor A-Board

PAVEMENT SIGNS > A BOARDS



### 25 mm profile Indoor A-Board

Double sided A-Board for indoor or covered area use. Reduced weight design with 20mm square legs, 25mm snap frames. Shock resistant grey PS back walls and UV- stable anti glare front sheets. Suitable for sheltered and less windy applications.

### Kundenstopper Indoor

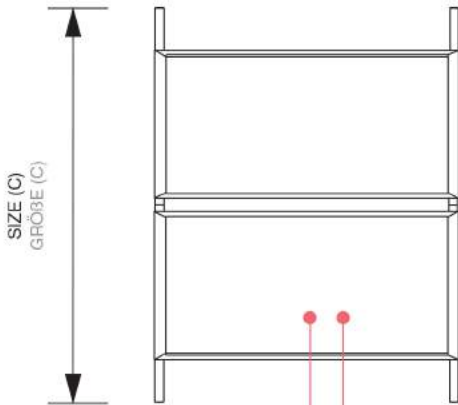
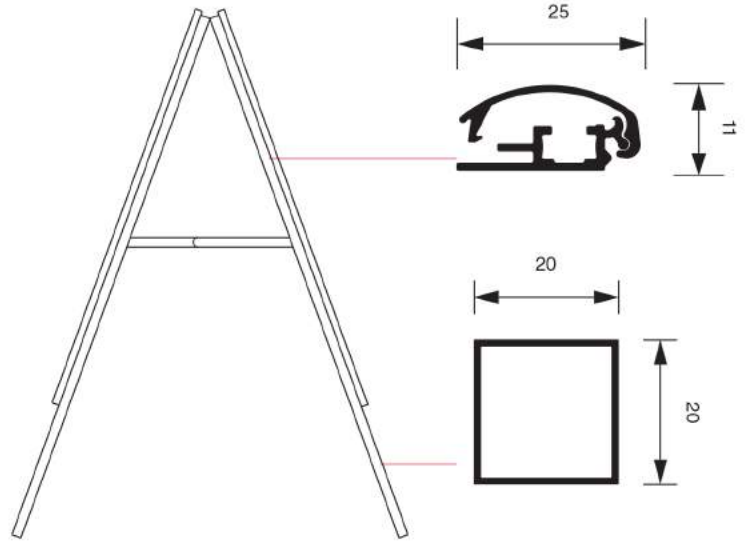
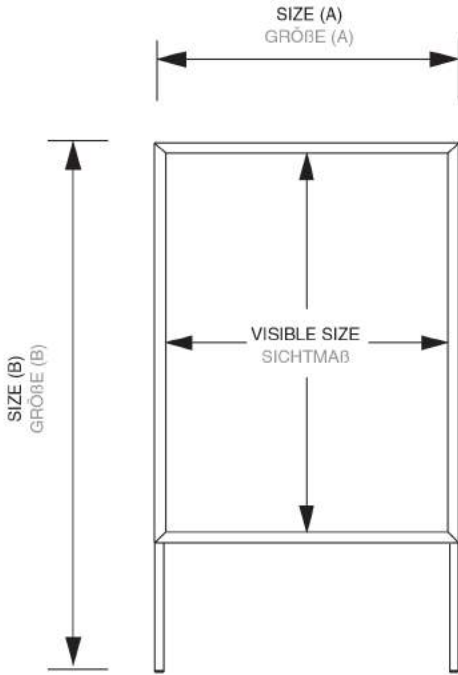
Doppelseitiger Kundenstopper. Sehr stabil mit 20x20 mm starkem Standprofil und zwei aufmontierten 25mm Klapprahmen mit schlagfester, grauer PS - Rückwand. Durch das verringerte Gewicht leicht zu transportieren.



# PRODUCT SHEET

## 25 mm profile Indoor A-Board / mitred corner

PAVEMENT SIGNS > A BOARDS



ANTI GLARE FRONT 0,5mm  
ANTIREFLEX-SCHUTZSCHEIBE 0,5mm

BACKWALL 3 mm AKYPLAC  
RÜCKWAND 3 mm AKYPLAC

### ACCESSORIES ZUBEHÖR



(SETZP)  
WRITING SET  
SCHREIBTAFEL - SET

(LHZP)  
LEAFLET BASKET  
PROSPEKTKORB





## 25 mm profile Indoor A-Board / mitred corner

PAVEMENT SIGNS > A BOARDS

ARTICLE CODE	EAN / GTIN	POSTER SIZE	VISIBLE SIZE	SIZE (A x B x C)	NET WEIGHT
ARTIKELNUMMER	EAN / GTIN	PLAKATFORMAT	SICHTMAß	GRÖßE (A x B x C)	NETTO GEWICHT
ZPA2G25 <input type="checkbox"/>	8595578305296	420 x 594 mm (A2)	400 x 574 mm	451 x 1006 x 674 mm	3,33 kg
ZPA1G25 <input type="checkbox"/>	8595578305302	594 x 841 mm (A1)	574 x 821 mm	625 x 1101 x 736 mm	4,87 kg
ZP50x70G25 <input type="checkbox"/>	8595578305319	500 x 700 mm	480 x 680 mm	531 x 1006 x 674 mm	4,07 kg
ZP70x100G25 <input type="checkbox"/>	8595578305326	700 x 1000 mm	680 x 980 mm	731 x 1387 x 917 mm	6,14 kg
ZPA3G25MH <input type="checkbox"/>	8595578350494	297 x 420 mm (A3)	400 x 277 mm	579 x 427 x 427 mm	2,37 kg

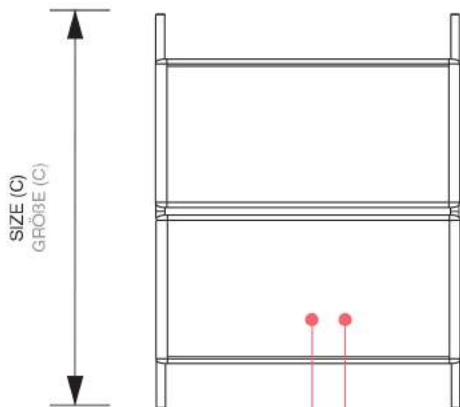
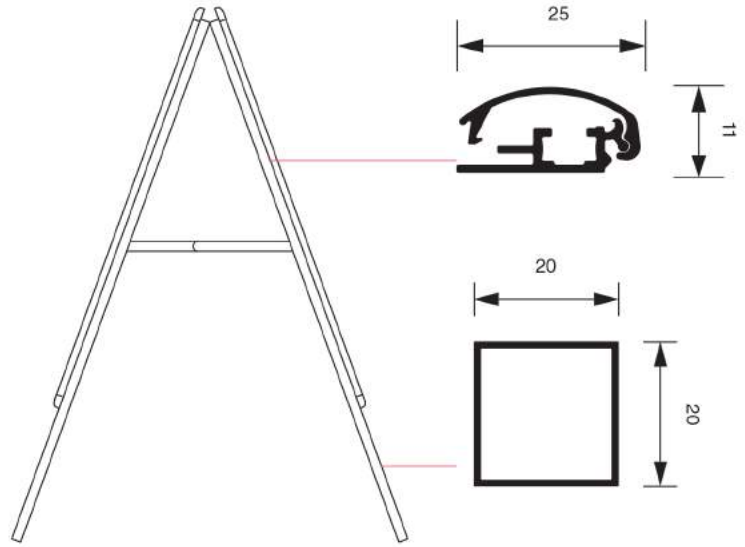
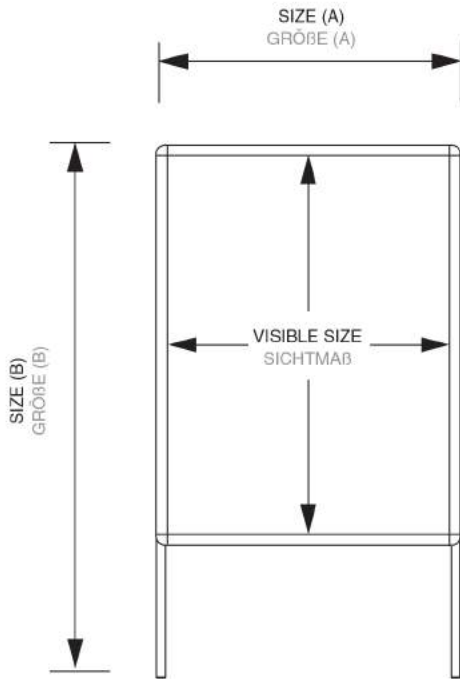
ARTICLE CODE	PACKING SIZE	PACKING WEIGHT	PCS / PALLET	WEIGHT OF PALLET	VOLUMETRIC WEIGHT	BELT SIZE	SHIPPING
ARTIKELNUMMER	PACKUNGS-GRÖßE	PACKUNGS-GEWICHT	STCK / PALETTE	PALETTEN-GEWICHT	VOLUMEN-GEWICHT	GÜRTEL	VERSANDART
ZPA2G25	521 x 1076 x 124 mm	6,63 kg	20	153 kg	13,90 kg	2366 mm	UPS
ZPA1G25	695 x 1196 x 124 mm	8,45 kg	20	189 kg	20,61 kg	2834 mm	UPS
ZP50x70G25	601 x 1076 x 124 mm	7,52 kg	20	171 kg	16,03 kg	2526 mm	UPS
ZP70x100G25	807 x 1495 x 124 mm	10,66 kg	10	127 kg	29,92 kg	3357 mm	TOF
ZPA3G25MH	362 x 632 x 122 mm	3,18 kg	54	192 kg	5,58 kg	1600 mm	UPS



# PRODUCT SHEET

## 25 mm profile Indoor A-Board / rondo corner

PAVEMENT SIGNS > A BOARDS



ANTI GLARE FRONT 0,5mm  
ANTIREFLEX-SCHUTZSCHEIBE 0,5mm

BACKWALL 3 mm AKYPLAC  
RÜCKWAND 3 mm AKYPLAC

### ACCESSORIES ZUBEHÖR



(SETZP)  
WRITING SET  
SCHREIBTAFEL - SET

(LHZP)  
LEAFLET BASKET  
PROSPEKTKORB





## 25 mm profile Indoor A-Board / rondo corner

PAVEMENT SIGNS > A BOARDS

ARTICLE CODE	EAN / GTIN	POSTER SIZE	VISIBLE SIZE	SIZE (A x B x C)	NET WEIGHT
ARTIKELNUMMER	EAN / GTIN	PLAKATFORMAT	SICHTMAß	GRÖßE (A x B x C)	NETTO GEWICHT
ZPA2R25	8595578305388	420 x 594 mm (A2)	400 x 574 mm	451 x 980 x 674 mm	3,39 kg
ZPA1R25	8595578305395	594 x 841 mm (A1)	574 x 821 mm	625 x 1075 x 736 mm	4,79 kg
ZP50x70R25	8595578305401	500 x 700 mm	480 x 680 mm	531 x 980 x 674 mm	4,00 kg
ZP70x100R25	8595578305418	700 x 1000 mm	680 x 980 mm	731 x 1361 x 917 mm	6,07 kg

ARTICLE CODE	PACKING SIZE	PACKING WEIGHT	PCS / PALLET	WEIGHT OF PALLET	VOLUMETRIC WEIGHT	BELT SIZE	SHIPPING
ARTIKELNUMMER	PACKUNGS- GRÖßE	PACKUNGS- GEWICHT	STCK / PALETTE	PALETTEN- GEWICHT	VOLUMEN- GEWICHT	GÜRTEL	VERSANDART
ZPA2R25	521 x 1076 x 124 mm	6,57 kg	20	152 kg	13,90 kg	2366 kg	UPS
ZPA1R25	695 x 1196 x 124 mm	8,27 kg	20	186 kg	20,61 kg	2834 kg	UPS
ZP50x70R25	601 x 1076 x 124 mm	7,34 kg	20	167 kg	16,04 kg	2526 kg	UPS
ZP70x100R25	807 x 1495 x 124 mm	10,48 kg	10	125 kg	29,92 kg	3357 kg	TOF